

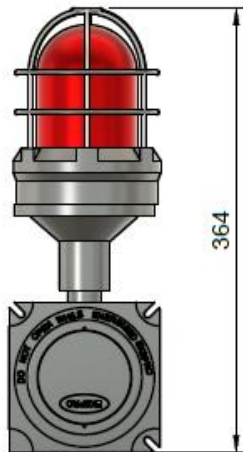
VDA SERIES EX-PROOF HAZARD WARNING

ATEX CERTIFICATE: INSEMEX-OEC.ATEX.18.0325X

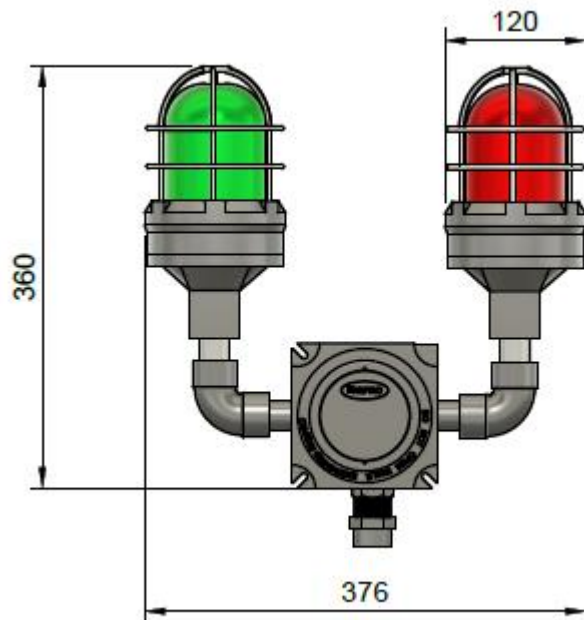
CE  II 2 G Ex db II C T5/T4/T3 Gb

CE  II 2 D Ex tb III C T100°C/T135°C/T200°C Db

VDAS-100



VDAD-100



APPLICATIONS

VDA SERIES exproof flasher, Zone-1, Zone-21, Zone-2 and Zone-22 suitable for use in ex-proof environments. It is used for light warning in emergency situations. It can be manufactured as single or double according to demand.

MATERIAL

Body; aluminum casting (ETIAL 171)
Colour: RAL 7040(grey)

TECHNICAL SPECIFICATIONS

With energy input: 24V-220 V AC/DC
Flasher circuit included
2x3/4" with input

MECHANICAL PROTECTION TYPE

IP 66